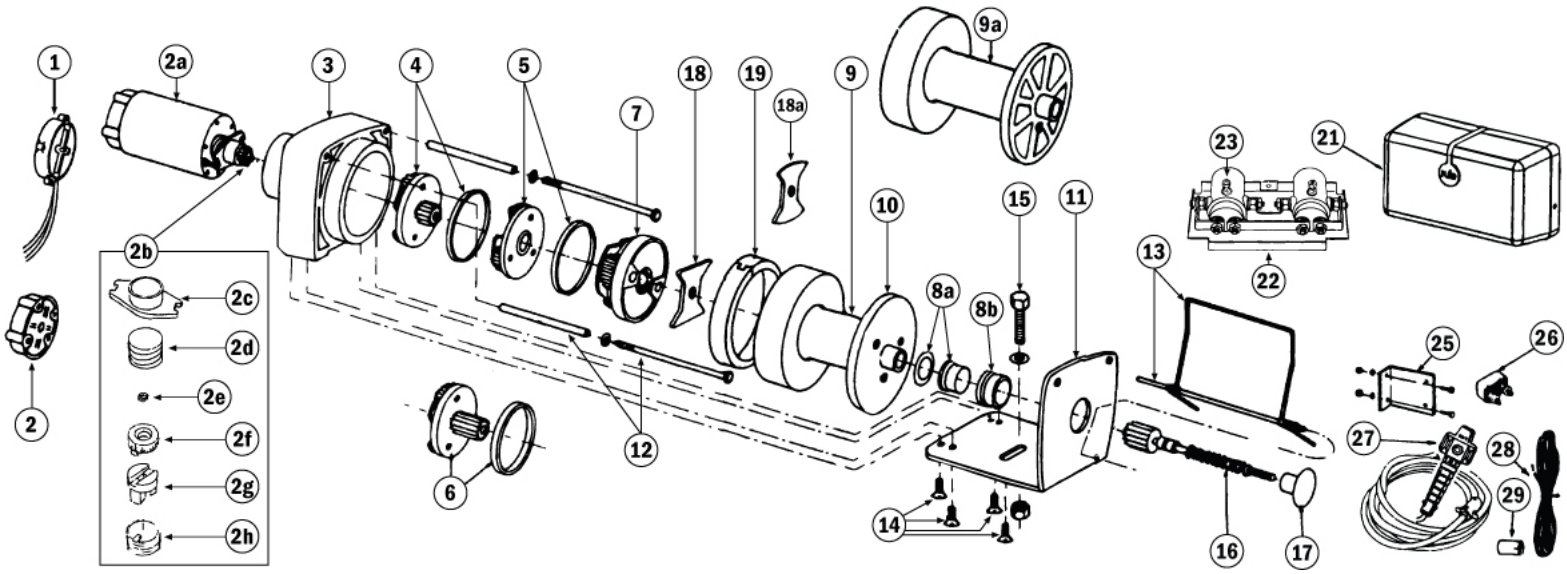


[Click here for QUOTES & ORDERS](#)

## 25, 33, 42, 50, 60, & 84 SERIES REPAIR PARTS LIST



Note: Some of the parts listed below may be noted NOT AVAILABLE

Key	P/N	Description
1	RWA49	T & V 25,33,42 Series Manual Switch
2	RWA851	Motor Bell End with Brushes
2a	RW846	12VDC Motor with Brake Assy. 60 Series..
2a	RW846-R	New -60 Series 12VDC Motor with Rebuilt Brake Assy. 1-Year Warranty (Core charges apply)..
2a	RW853	12VDC Motor & Brake Assy. for 25 & 33 Series
2a	RW853-R	New -33 Series 12VDC Motor with Rebuilt Brake Assy. 1-Year Warranty (Core charges apply)
2a	RW855	12VDC Motor with Brake Assy. 42 Series..
2a	RW855-R	New -42 Series 12VDC Motor with Rebuilt Brake Assy. 1-Year Warranty (Core charges apply)..
2a	RW866	N/A 24 VDC Motor & Brake for 50 Series -NOT AVAILABLE
2b	RW887	N/A Brake Spring Assy. -NOT AVAILABLE as a complete assembly. Purchase each piece of assembly separately.
2c	RW1146	Brake Spring Housing
2d	RW627	Brake Housing Spring (large spring)
2e	RW626	Snap Ring for Brake Assy. (motor shaft)
2f	RW1145	Brake Spring
2g	RW622	Motor Pinion (GEAR)
2h	RW1147	Brake Spring Drivers (each)
2i	RW679	Shim Washers -Brake Assy. (each)
3	RW856	Gear Housing with Ring Gear
4	RW857	1st Stage Planetary Assy.
5	RW844	N/A 3rd Stage Planet Assy. 84 Series -NOT AVAILABLE
5	RW858	N/A 2nd Stage Planetary Assy. Free Wheeling Models -Not Available
6	RW859	2nd Stage Planetary Assy. Non-Free Wheeling Models
7	RWA37	N/A 3rd Stage Planet Assy. for 50,60 Series -NOT AVAILABLE
7	RWA63	N/A 3rd Stage Planet Assy. 84 Series -NOT AVAILABLE
7	RWA7	3rd Stage Planetary Assy.

[Click here for QUOTES & ORDERS](#)

[Click here for  
QUOTES & ORDERS](#)

8	RW882	N/A Drum Bearing Assy. (Contains RW-822-1, RW-822-2) -NOT AVAILABLE
8a	RW882-1	Drum Bearing Outer Steel Flange Bushing
8b	RW882-2	N/A Drum Bearing Inner Bronze Bushing -NOT AVAILABLE
9	RW863	Drum Assy. with Flange & Set Screw for all but "E" Series
9a	RW880	N/A Drum Assy. with Flange & Set Screw for "E" Series -NOT AVAILABLE
9a	RWA65	N/A Drum Assy. E Series -NOT AVAILABLE
9	RWA64	N/A Drum Assy. 84 Series -NOT AVAILABLE
10	RW841	N/A Drum Flange 50,60,84 Series -NOT AVAILABLE
10	RW864	Drum Flange Assy. for 25,33,42 Series
11	RWA43	N/A Mounting Base for "E" Series -NOT AVAILABLE
11	RWA8	N/A Mounting Base T33S -NOT AVAILABLE
11	RWA9	Mounting Base without Cable Guide for all except "E" Series
12	RW848	Spacer Kit for "E" Series
12	RW867	Spacer Kit for all except "E" Series
13	RW868	Level Wind Spring Kit for all except "E" Series
14	RW869	Screw Kit for Gear Housing
15	RWA23	Winch Mounting Bolt Kit (Mounting Base Screw Kit) (3 ea 3/8 bolts, nuts, locks)
16	RW847	N/A Free-Wheel Gear & Shaft Assy. for "E" Series -NOT AVAILABLE
16	RW871	N/A Free-Wheel Gear & Shaft Assy. -NOT AVAILABLE
17	RWA13	Free Wheeling Knob
18	RW671	Coupling Plate for all except 60 & 84 Series
18a	RW617	N/A Coupling Plate for 60, 84 Series -NOT AVAILABLE
19	RW609	N/A -Drum Bearing Large End -NOT AVAILABLE
21	RW906	Remote Solenoid Pack Plastic Cover only (Old Style for metal receptacle. Receptacle not included)
21	RW906NEW	Remote Solenoid Pack Plastic Cover only (new style with round molded plastic receptacle)
22	RWA19	Remote Control Solenoid Assy. (Old Style with Round Metal Receptacle installed)
22	RWA19NEW	Remote Control Solenoid Assy. (New Style with Molded Plastic Receptacle in cover)
22	RWA45	N/A 24VDC Complete Solenoid Pack Control Assy. -NOT AVAILABLE
23	RW843	N/A 24VDC Replacement Solenoid -NOT AVAILABLE
23	RW955	Solenoid 12VDC -Replacement
25	RWA20	Mounting Bracket for Solenoid Box Assy. (not the backing plate)
26	RW875	80 AMP Circuit Breaker Assy.
26	RW877	N/A 100 AMP Circuit Breaker -NOT AVAILABLE
26	RW925	40 AMP Circuit Breaker
26	RW926	30 Amp Circuit Breaker
26	RW976	N/A 50 AMP Circuit Breaker -NOT AVAILABLE
27	RWA35	10' Remote Pendant Control Switch Assy. with old-style round metal 4-connector plug
27	RWA35NEW	10' Remote Pendant Control Switch Assy. New Style (with molded plastic plug)
29	RW910	Copper Threaded Switch Contacts for Manual Control (2 included)